

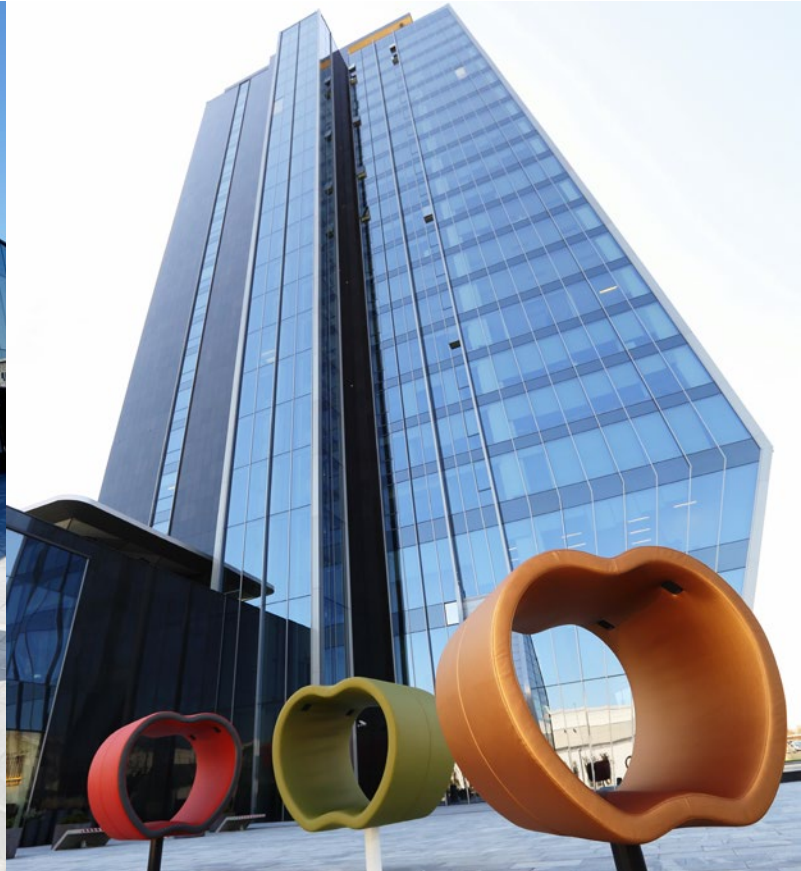
BIG APPLE



A pleasant disconnection



A pleasant disconnection



The "Big Apple" can be placed in any environment. Placed in an outdoor space, placed in an ambience with bookshelves, or with sound elements, or it can stand alone where an extraordinary ambience begins.

BIG APPLE



You will find safety and shelter.
Without noise and in constant connection with the environment itself.



A pleasant disconnection



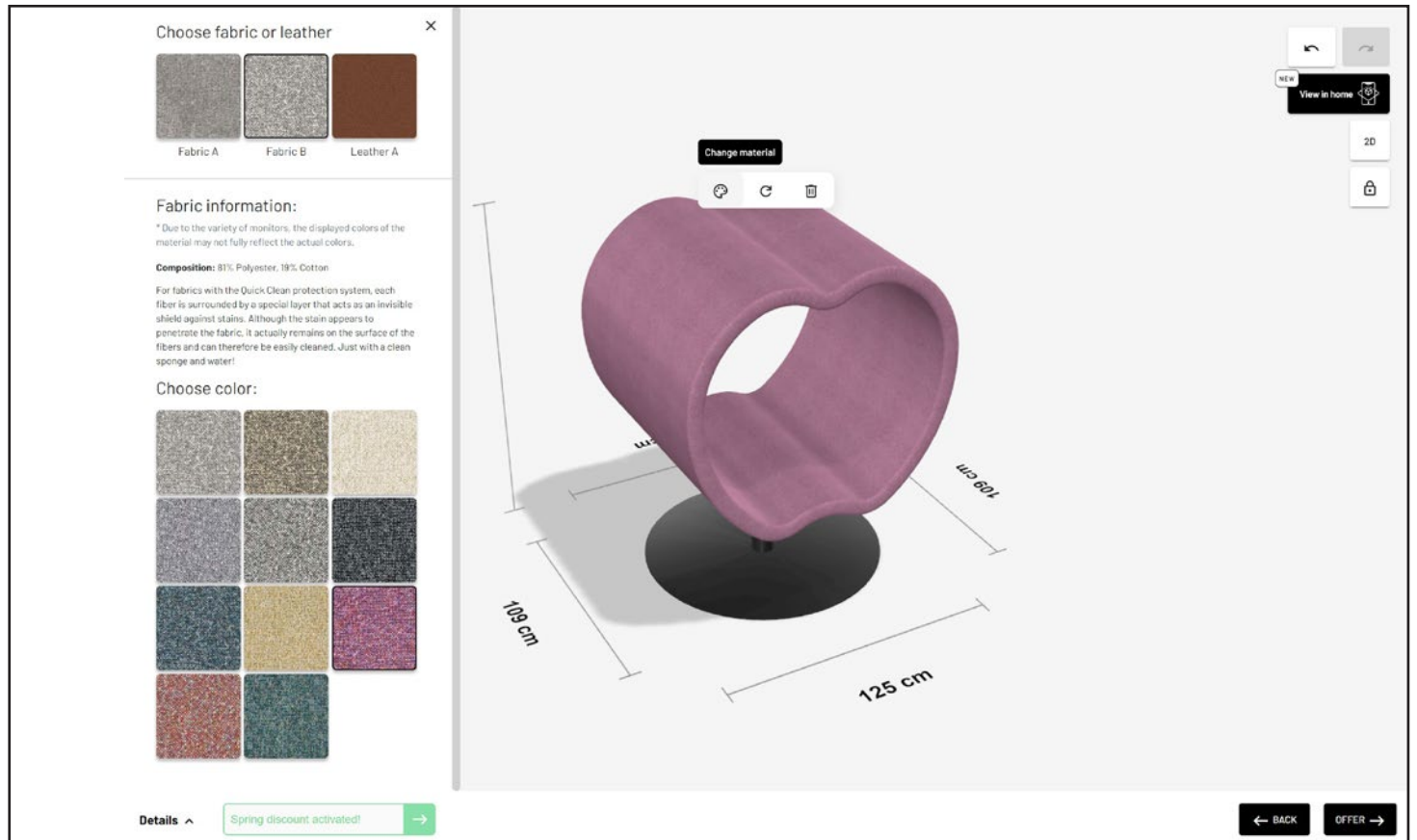
Wherever you place it, the Big Apple will bring a special atmosphere.

BIG APPLE



Configurator

Scan the QR code, follow the instructions and build the Big Apple to your taste!



BIG APPLE

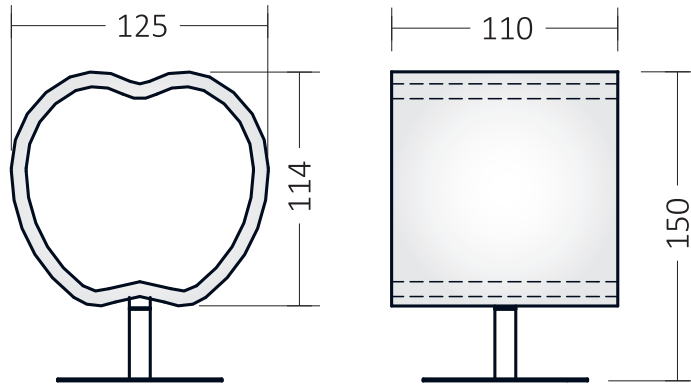


Available in a wide variety of materials that will conjure up comfort according to your taste.

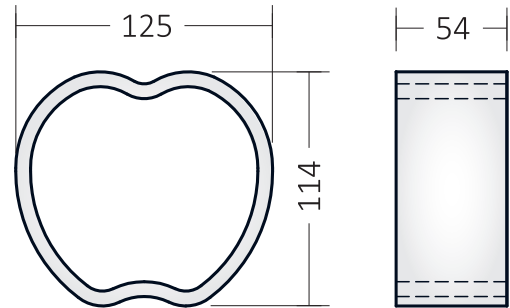


Technical information

Self standing element



Wall mounted element



Ergonomics and materials:

Construction:

Hand made element with metal construction and high quality foam.

Upholstery:

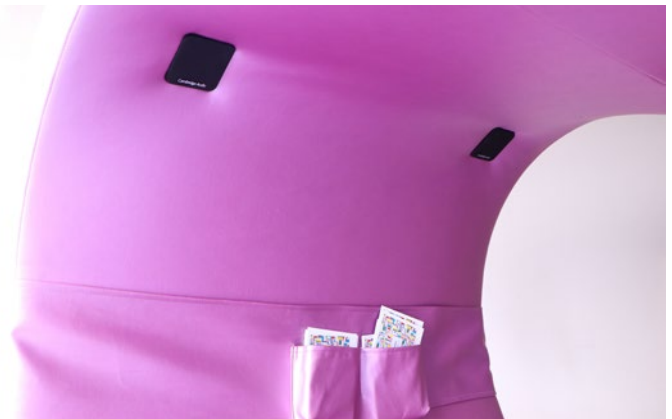
Fabrics, artificial or natural leather in many colours.

Optional:

Big apple can be equipped with speakers and bluetooth, holder with charger for smartohone, remote controlled from all devices.

Design:

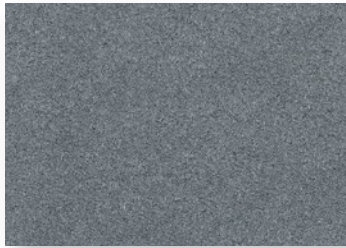
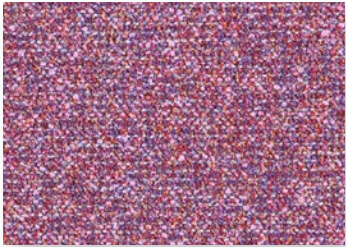
Klun ambienti / Robert Klun architect



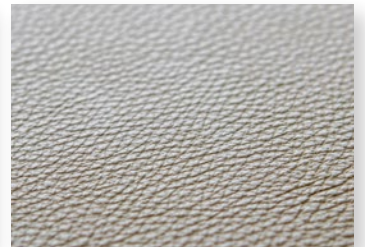
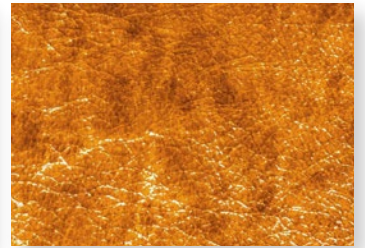
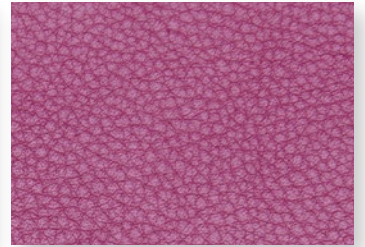
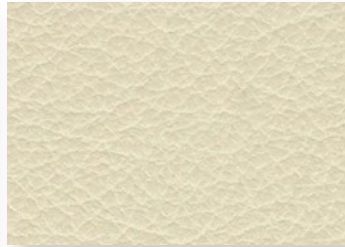
Many additional equipment options are available.

Upholstery materials

Fabrics



Leather



and many other



TW CONSULTING
& TRADE LTD.

Wolfgang Tweraser
+356 9942 9829
info@TWCTMT.com



TOUCH THE HEAVEN

